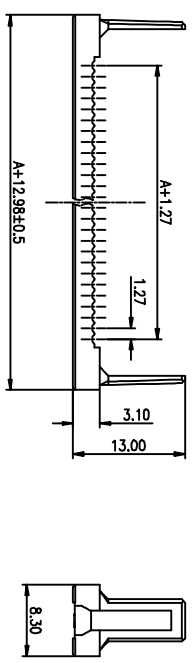
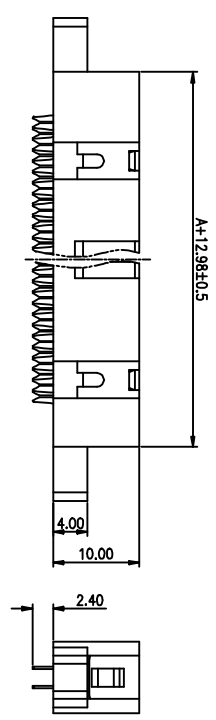
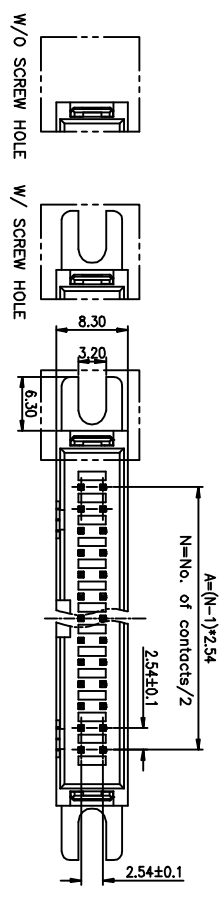
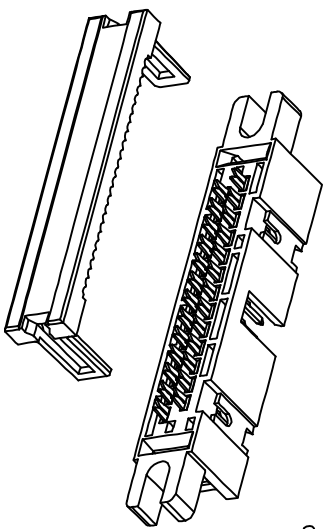
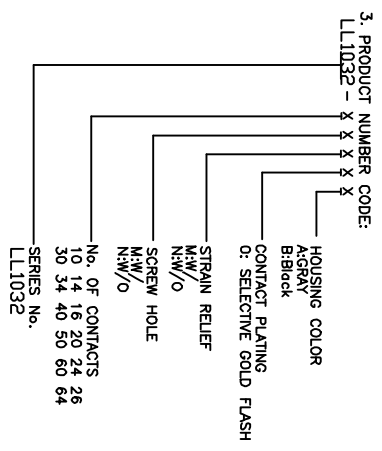


REV	DESCRIPTION	DRAWN	CHECKED	APPROVED
A	NEW RELEASE	CJJ 11/19/2014		



- NOTES:
- MATERIAL
 - 1.1 INSULATOR:THERMOPLASTIC(UL 94V-0).
 - 1.2 CONTACT: COPPER ALLOY.
 - SPECIFICATION
 - 2.1 STORAGE TEMPERATURE:-40°C~+105°C.
 - 2.2 CONTACT RESISTANCE:20mΩ max.
 - 2.3 INSULATION RESISTANCE:1000MΩ min.
 - 2.4 DIELECTRIC WITHSTANDING VOLTAGE:AC 500V PER MINUTE.



GENERAL TOLERANCE		ANGLE TOLERANCE	
X, .X	±0.60	X, .X	±5°
.XX	±0.38	.XX	±3°
	±0.25		±2°

DRAWING TYPE	CUSTOMER	SHEET	1 OF 1
SCALE	1:1		
DRAWING NO.			

PROJECTION	TITLE
UNITS	mm
SHEET SIZE	A4
SERIES	LL1032

慈溪蓝翎电子有限公司
 CIXI LANLING ELECTRONICS CO., LTD.

