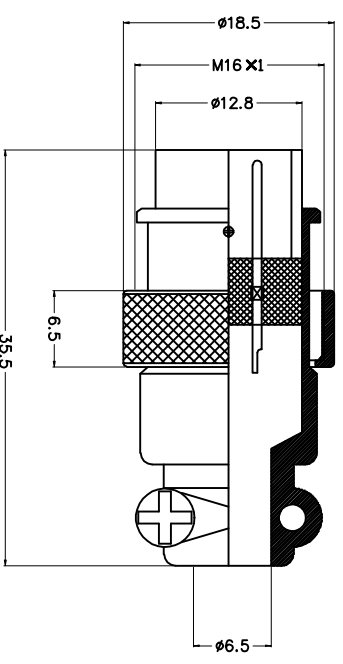
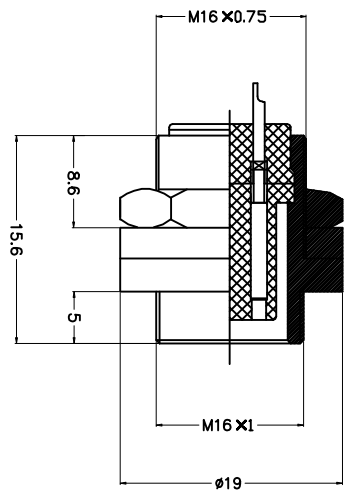


REV.	DESCRIPTION	DRAWN	CHECKED	APPROVED
A	NEW RELEASE	ZQJ 11/18/2015	~	ZQJ 11/18/2015
B	ADD P/N CODE	CJJ 11/18/2015	~	CJJ 11/18/2015



YL1-16 反装系列 2T-8T

规格/Type Small size	YL1-16-2	YL1-16-3	YL1-16-4	YL1-16-5	YL1-16-6	YL1-16-7	YL1-16-8
	正装	正装	正装	正装	正装	正装	正装
插孔数/Number of pins 插孔间距/Pitch 插孔直径/Pin diameter	7L-125T	7L-125T	8L-125T	8L-125T	4L-125T	4L-125T	4L-125T
工作电压 (AC/DC) V 额定功率 (AC/DC) W 插孔间距 (mm) 插孔直径 (mm)	200 1500 1500 1.25	200 1500 1500 1.25	200 1500 1500 1.25	200 1500 1500 1.25	200 1500 1500 1.25	200 1500 1500 1.25	200 1500 1500 1.25
插孔间距 (mm) 2T 插孔间距 (mm) 3T 插孔间距 (mm) 4T 插孔间距 (mm) 5T 插孔间距 (mm) 6T 插孔间距 (mm) 7T 插孔间距 (mm) 8T	10	10	10	10	10	10	10
插孔直径 (mm) 插孔直径 (mm)	1.6	1.6	1.6	1.6	0.95	0.95	0.95

GENERAL TOLERANCE	ANGLE TOLERANCE
X. ±0.60	X. ±5°
.X ±0.38	.X ±3°
.XX ±0.25	.XX ±2°

PROJECTION	TITLE
UNITS mm	Micro Jack Connector
SHEET SIZE A4	SERIES YL1-16 Reverse Type

2 CONTACT	
1 HOUSING	
ITEM PART NAME	

DRAWING TYPE	CUSTOMER
SCALE	SHEET
DRAWING NO.	1 OF 1


慈溪蓝翎电子有限公司
 CIXI LANLING ELECTRONICS CO., LTD.